



CUSTOM RADIATOR QUOTE FORM

DRAWINGS - Custom Radiators will only be built from a detailed drawing or sketch on this form. Details should include overall dimensions, placement and description of fittings, filler necks, and heat exchangers (coolers). Vertical flow or double pass radiators must be specified. Horizontal flow radiators are standard.

TANKS - The standard width of a radiator tank is 3" thick by 1-1/2" wide. Tanks with heat exchangers are a minimum of 2-1/2" wide. Custom tanks can be made as narrow as 1" or as wide as 3". Tanks with fillers and horizontal flow must be at least 1-1/2" wide. Tanks may be flared out 1/2" at the top for fillers on horizontal flow radiators.

MOUNTING - We will only install simple mounting flanges on custom radiators. We prefer not to install special mounting brackets as requested locations often compromise the integrity of the core. Radiators should not be mounted rigid and should be supported under the tank only.

Choose a Core: (W)

342924	18-1/2H x 20	24 Core
3429A28	18-1/2H x 24-1/2	28 Core
3429A	18-1/2H x 22-1/2	A Core
3429AA	15H x 24	AA Core
3429B	18-1/2H x 18	B Core
3429C	21H x 20	C Core
3429D	21-1/2H x 17	D Core
3429E	18-1/2H x 27-1/2	E Core
3429I	18-1/2H x 16	I Core
3429J	17H x 32	J Core
3429L	19H x 26-1/4	L Core
3429W	18-1/2H x 28-1/4	W Core
3429Q*	18-1/2H x 27-1/2	Q Core*
3429R*	18-1/2H x 18	R Core*
3429Y*	18-1/2H x 20	Y Core*

*Designates Single Row Cores.

Construction Style:

34261	Vertical Flow
34266	Horizontal Flow Special
34267	Horizontal Double Pass
34268	Standard

Upper Water Inlet: (LOCATE)

3431	Standard 1-1/2 OD Straight
342812	#12 AN - Each
342816	#16 AN - Each
342820	#20 AN - Each
342180	Special Angle I/O
342200	Non Standard I/O Tube Only
3/4"	1" 1-1/4" 1-3/4" 2"

Lower Water Outlet: (LOCATE)

3432	Standard 1-3/4 OD 25° Up
342816	#16 AN - Each
342820	#20 AN - Each
342180	Special Angle I/O
342200	Non Standard I/O Tube Only
3/4"	1" 1-1/4" 1-3/4" 2"

Miscellaneous:

34263	Custom Tanks
-------	--------------

THICKNESS - All Howe radiators use a 2-1/4", 2 row core with 3" thick tanks. We will not double them to increase the thickness.

HEAT EXCHANGER - Heat exchangers may be installed on any custom radiator. They require a minimum 2-1/2" wide tank. The same heat exchanger is used for oil and transmission fluid coolers. Heat exchangers come standard with 1/2" female pipe fittings, 10" apart. AN fittings must be specified.

DELIVERY - All custom radiators require a minimum of five working days from the day of order before shipping.

QUANTITY - Custom radiators ordered in quantities greater than four are considered specialty production radiators and may qualify for better pricing. Please specify the quantity and frequency of your order for the best possible price.

1" Mounting Flange:

34262	Attached To Tanks
34264	Attached To Rails

Water Filler: (LOCATE)

34301	Billet Filler Neck
34302	Cast Filler Neck
343025	Small Filler Neck
34303	Special Filler Neck
342201	No Filler

Drain/ Vent: (LOCATE)

34278	Drain or Vent
1/8"	1/4" 3/8" 1/2" Other _____

Heat Exchanger: (LOCATE)

34279	1/2" Pipe Cooler Option
342792	#12 AN Cooler Option
342790	#10 AN Cooler Option

Cut Core:

3426 Reduce Dimension H to: _____
Note: Vertical Flow With Brackets Require a Cut Core.

V = Overall Width: _____

A Tank Width: 1" 1.5" 2" 2.5" 3" Other _____

B Tank Width: 1" 1.5" 2" 2.5" 3" Other _____

UPPER:

Water Inlet Angle X: _____

Water Inlet Angle Y: _____

Water Inlet Position C: _____

Water Inlet Position D: _____

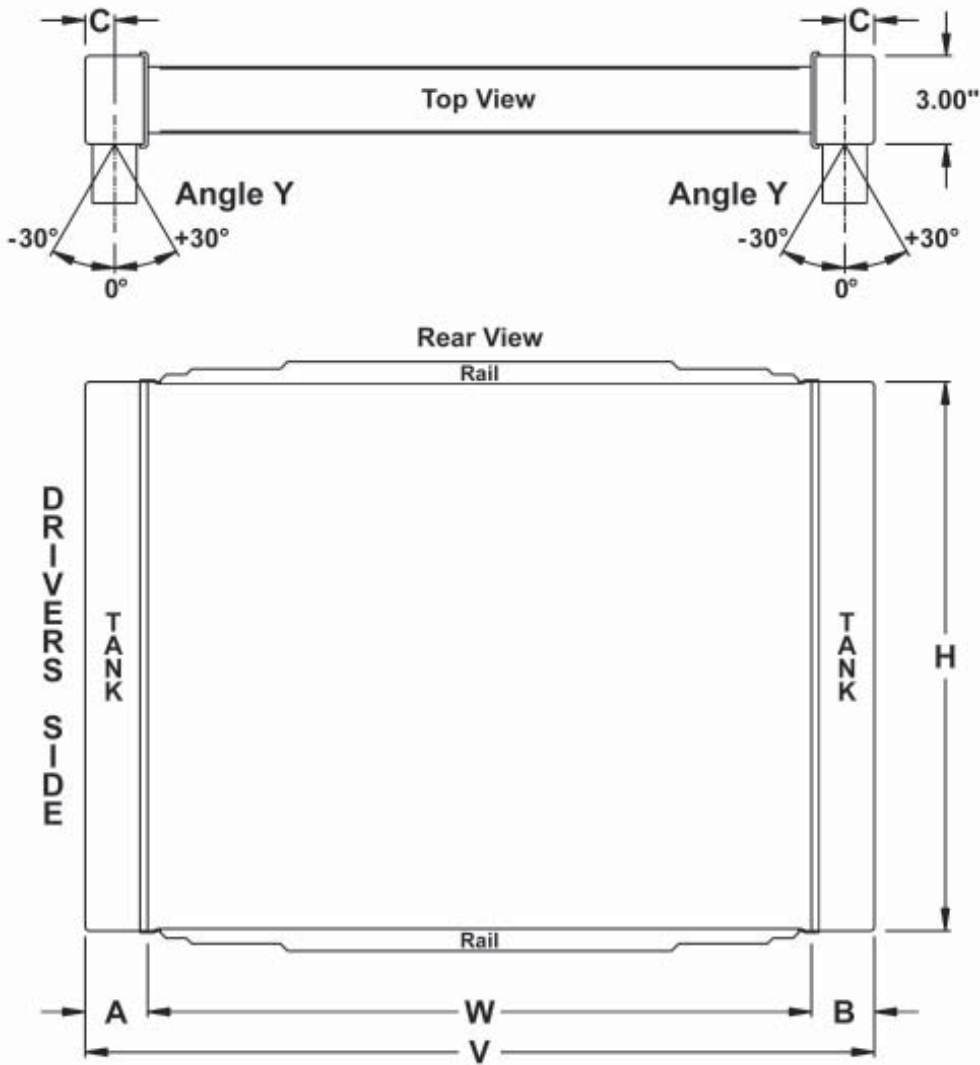
LOWER:

Water Outlet Angle X: _____

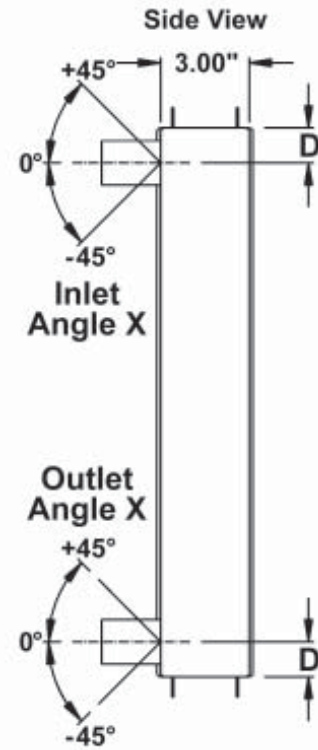
Water Outlet Angle Y: _____

Water Outlet Position C: _____

Water Outlet Position D: _____



**HORIZONTAL FLOW
CUSTOM RADIATOR
SKETCH FORM**

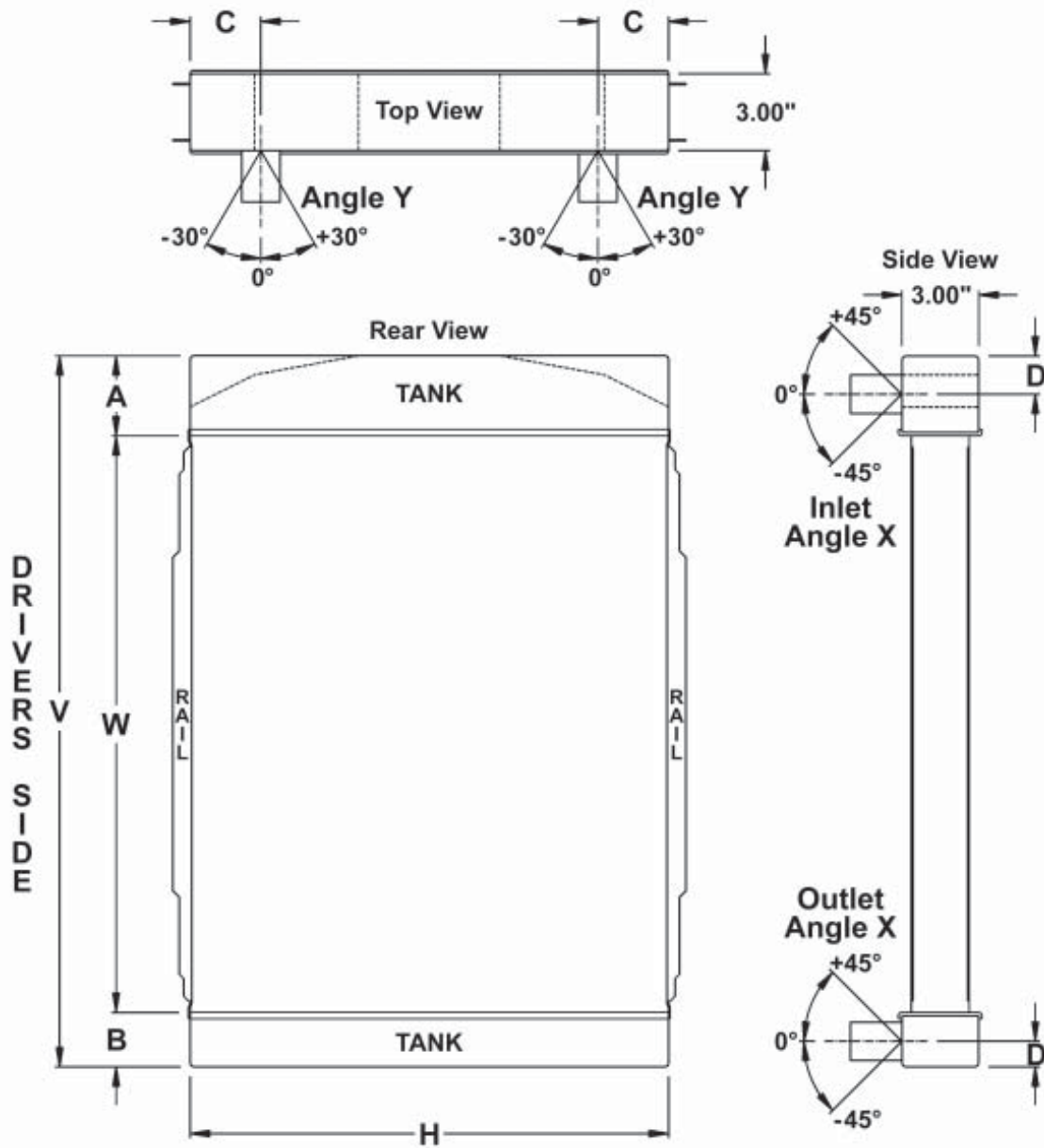


	FILLER NECK
	WATER INLET
	WATER OUTLET
	EXCHANGER IN/ OUT
	DRAIN COCK OR VENT

Draw these symbols on the diagram to suit your specifications.



**VERTICAL FLOW
CUSTOM RADIATOR
SKETCH FORM**



				
FILLER NECK	WATER INLET	WATER OUTLET	EXCHANGER IN/OUT	DRAIN COCK OR VENT

Draw these symbols on the diagram to suit your specifications.



Custom Order Release

Please be advised that in placing this order for custom manufactured merchandise you are accepting full responsibility for the correctness and accuracy of all pertinent ordering information. Further, be advised that by filling out and signing this form you are affirming the correctness and accuracy of the information contained herein and authorizing Motor State Distributing to order this custom merchandise. Once this form has been signed, the purchaser assumes full responsibility for paying for the custom merchandise and no refund will be issued unless it can be shown that any errors or defects were the fault of the manufacturer and not caused by erroneous information.

As a rule, custom orders cannot be cancelled once the order is placed with the manufacturer. All custom orders are subject to freight and handling charges from the manufacturer.

No returns will be accepted on custom-built items.

Sales Contact At Motor State _____

Customer Number _____

Company Name _____

Address _____

City _____ State _____ Zip _____

Phone _____

Fax _____

Email _____

Print Your Name _____ Date _____

Authorized Signature _____

If you are submitting this form electronically, your digital signature must be added last. Once signed, this form becomes non-editable. Please double check all items first.

Motor State Distributing

8300 Lane Drive, Watervliet MI 49098

web: www.motorstate.com | phone: 1-800-772-2678 | fax: 1-800-772-2618